

BACKWATER VALVE

869 SERIES

SPECIFICATION

Sioux Chief 869 Series backwater valve shall be installed where necessary in drainage systems. Backwater valve shall be installed in horizontal drainage lines to reduce or prevent damage to dwelling from sewage backup. Backwater valve shall have a stepped design with a one-way flapper to prevent back flow of sewage/drainage. Flapper shall have an o-ring seal and allow unrestricted, unidirectional flow while reducing the straining of effluent. Designed in accordance with ASME A112.14.1-2003.

MATERIALS

Valve Body / Lid / Flapper: PVC

O-ring (Sealing Lid & Flapper): Elastomer

BACKFLOW PRESSURE

Withstands backflow up to 5 PSI¹

DIMENSIONS

Connection size	6" Sch. 40 hub
A: Overall height (in)	8-7/8"
B: Overall height (out)	9-1/2"
C: Overall width	15-3/8"
D: Vertical offset	5/8"
E: Sealing lid diameter	9-7/8"

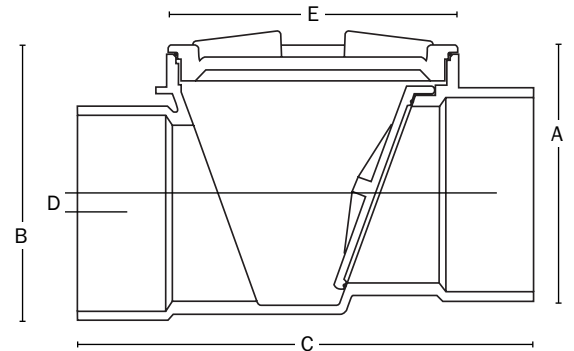
¹ Regular inspection of the flapper and sealing surfaces and general maintenance are required to ensure proper function of all backwater valves.

ITEM # SUBMITTED	_____
JOB NAME	_____
LOCATION	_____
ENGINEER	_____
CONTRACTOR	_____
PO#	_____ TAG _____



869-6P

Note:
For extension sleeve, use
10" Sch. 40 PVC pipe
(supplied by others)



Item Number

869-6P

Accessories - Available Separately:
869-60: O-ring for threaded sealing lid
869-61: Flapper & o-ring
869-6P1: PVC threaded sealing lid